

OSI DC & RMS CURRENT TRANSDUCERS MODELS CT7- & CT8-

DC TO 500Hz 0.1 TO 20A INPUTS

DESCRIPTION

The **Model CT7- Series** (DC) current transducer produces an output which is directly proportional to the input signal from dc to 500Hz. It functions as a dc isolator or low-frequency ac transducer with dc response. The output is proportional to the input.(ac input/ac output, dc input/dc output)

The **Model CT8- Series** (RMS) current transducer provides an output directly proportional to the RMS value of the input over the dc to 500Hz range. The dc output is proportional to the RMS input including dc.

Full-scale current ranges of 0.1 to 20 amperes, and 2500 Vac input/output dielectric test make them suitable for many instrumentation needs.

5 YEAR WARRANTY



INPUT AMPS	STANDARD OUTPUTS MODEL CT7 & CT8			
	1mA	4-20mA	10V	5V
0 to 0.1	002B	002E	002D	002X5
0 to 0.5	004B	004E	004D	004X5
0 to 1.0	006B	006E	006D	006X5
0 to 1.5	007B	007E	007D	007X5
0 to 2.0	008B	008E	008D	008X5
0 to 5.0	014B	014E	014D	014X5
0 to 10.0	015B	015E	015D	015X5
0 to 15.0	016B	016E	016D	016X5
0 to 20.0	017B	017E	017D	017X5

ORDERING INFORMATION

Example: 0-5Adc Input,
with 4-20mA Output &
125Vdc Inst. Pwr.
CT7-014E

Instrument Power Options

Option "-11"

95-135Vac, 50/60Hz, 5VA

Option "-22"

230Vac, 50/60Hz, 5VA

Option "-12, -15, -24, -37, -48"

for 12Vdc thru 48Vdc

Bi-directional (+) output on CT7

Other currents & frequency available, consult factory

SAVE \$ "-11 & -22 models which utilize a low cost linear power supply."

SPECIFICATIONS

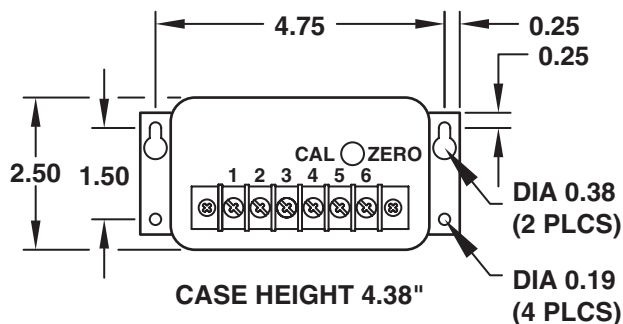
INPUT

Current See Table
 Frequency Range dc-500Hz
 Burden VA (0.050V X F.S. current)
 Overload 1.25 X F.S. rating
 Dielectric Test (Input/Output/Case) 2500Vac
 Instrument Power
 85-265Vac, 48-420Hz, 5VA, or 110-370Vdc
 See available inst. power options
 Temperature Effects...(-10°C to +60°C) ± 1.0% Rdg.
 Field Adjustable Cal. ± 10%

OUTPUT

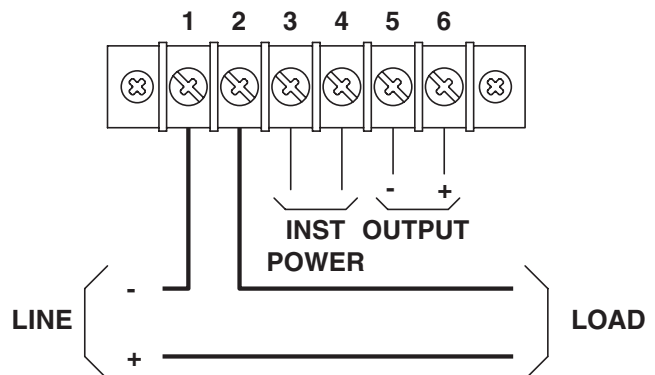
ACCURACY.....Includes effects of linearity and repeatability.
 CT7 Models ± 0.25% F.S. @ DC
 CT8 Models ± 0.25% F.S. @ 48-420Hz
 Response Time (to 90%)
 CT7 Models 1 millisecond
 CT8 Models 100 milliseconds
 Ripple <1.0% F.S.
 Output Loading (Ohms)
 0-1mA 0-10K
 5V & 10V >2K
 20mA 0-500
 Net Weight 1.5 Lbs.

CASE DIMENSIONS



All Dimensions in Inches

CONNECTION DIAGRAM



OHIO SEMITRONICS, INC.

4242 REYNOLDS DRIVE * HILLIARD, OHIO * 43026-1264
 PHONE: (614) 777-1005 * FAX: (614) 777-4511
 WWW.OHIOSEMITRONICS.COM * 1-800-537-6732